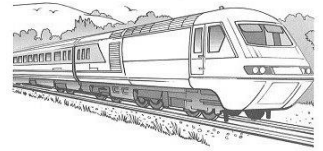
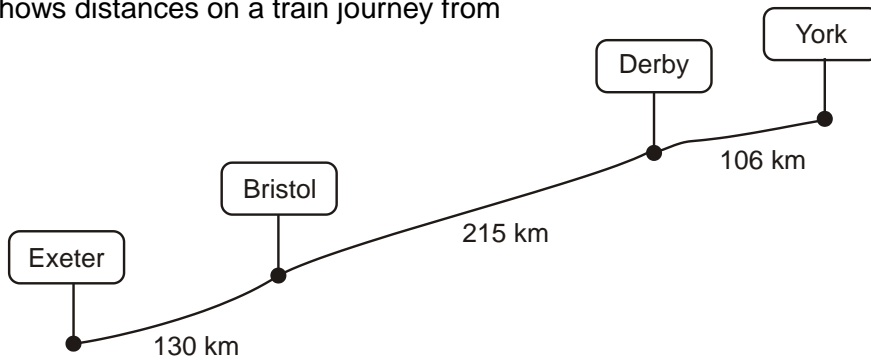


1. The diagram shows distances on a train journey from Exeter to York.



How many kilometres is it altogether from **Exeter** to **York**?

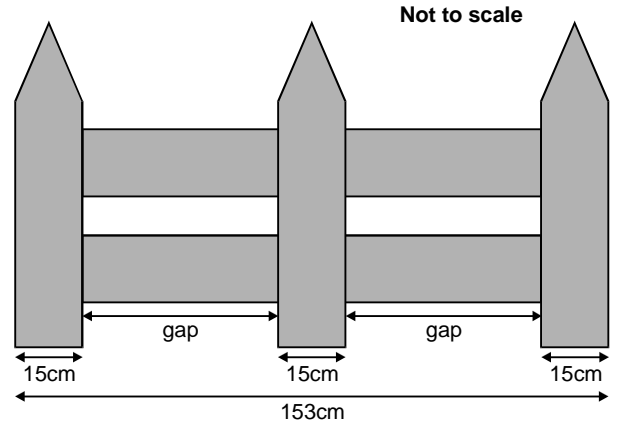
km

2. This fence has three posts, equally spaced.

Each post is **15 centimetres** wide.

The length of the fence is **153 centimetres**.

Calculate the length of **one gap** between two posts.



cm

Show your **method**.
You may get a mark.

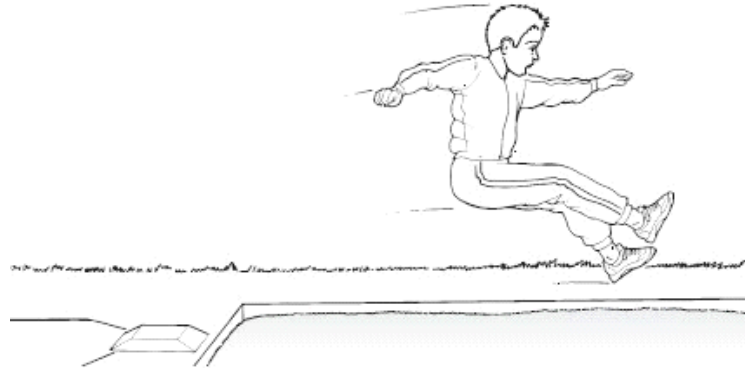
3. Max jumped **2.25 metres** on his **second** try at the long jump.

This was **75 centimetres** longer than on his **first** try.

How far **in metres** did he jump on his **first** try?



1 mark

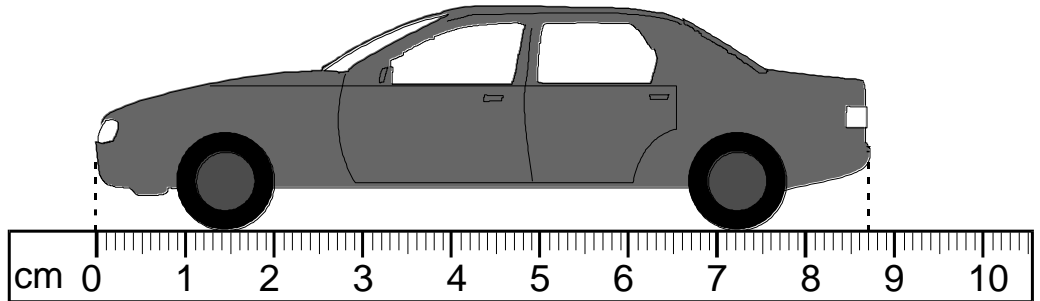
 m

4. Here is a drawing of a model car.

What is the **length** of the model?

Give your answer in **centimetres**,

correct to one decimal place.

 cm

The height of the model is **2.8 centimetres**.

The height of the real car is **50** times the height of the model.

What is the **height** of the **real car**?

Give your answer in **metres**.



Show your **method**.
You may get a mark.

 m

5. Kate has a piece of ribbon **one metre** long.

She cuts off 30 centimetres.

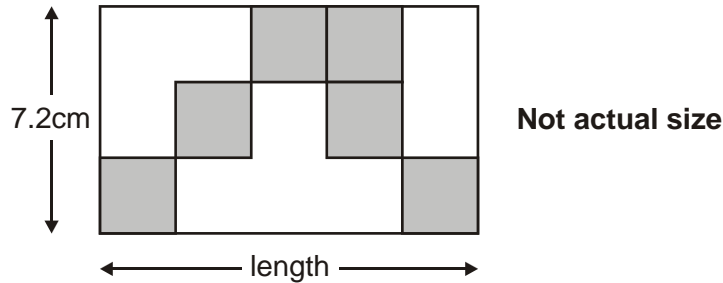
How many centimetres of ribbon are left?



	cm
--	-----------



6. Here is a rectangle with six identical shaded squares inside it.



The width of the rectangle is **7.2 centimetres**.

Calculate the **length** of the rectangle.



Show your **method**.
You may get a mark.

	cm
--	-----------


7. Write these lengths in order, starting with the shortest.

$\frac{1}{2}$ m

3.5cm

25mm

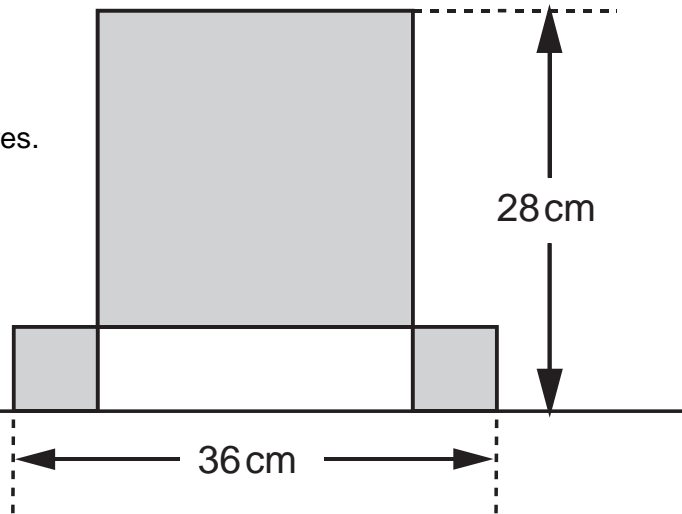
20cm



shortest

8. This design has **one large square** and **two identical small squares**.

The design measures 36 centimetres by 28 centimetres.



**Not
actual
size**

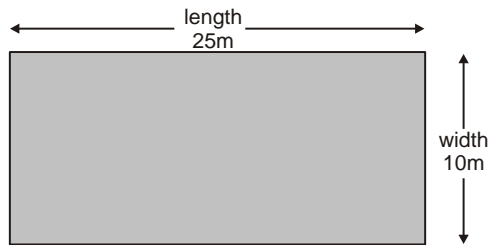
Calculate the length of a side of the **large square**.



Show your **working**.
You may get a mark.

cm

9. A rectangular swimming pool is 25 metres long and 10 metres wide.



David swims **5 lengths**.

Rosie swims **12 widths**.

How much **further** does David swim than Rosie?

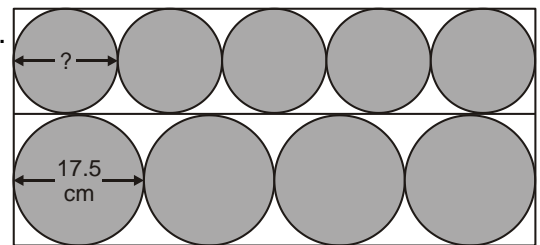
metres

Show your **working**.
You may get a mark.

10. Four large circles and five small circles fit exactly inside this rectangle.

The **diameter** of a large circle is **17.5** centimetres.

Calculate the **diameter** of a small circle.

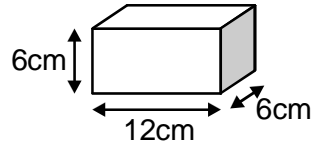


cm

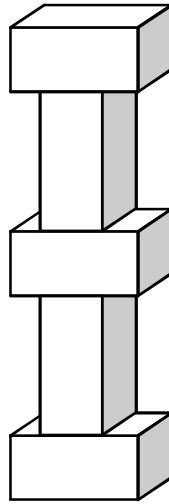
Show your **method**.
You may get a mark.

11. Martin has some bricks.

They are 12cm long, 6cm high and 6cm deep.



He builds this tower with **five** bricks.



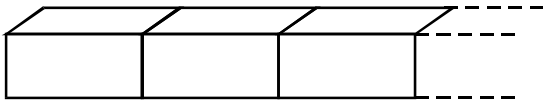
How tall is the tower?

cm

1 mark

Each brick is 12cm long.

Martin makes a line of bricks **132cm long**.



How many bricks does he use?

1 mark