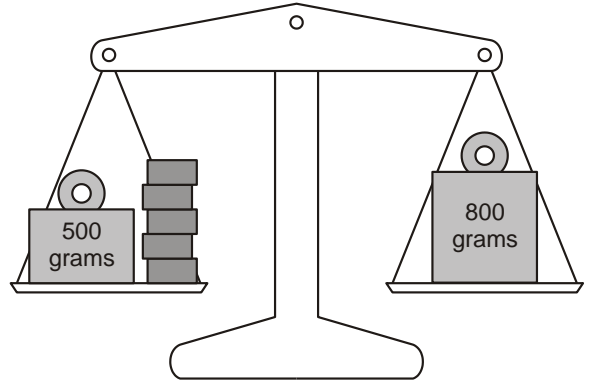
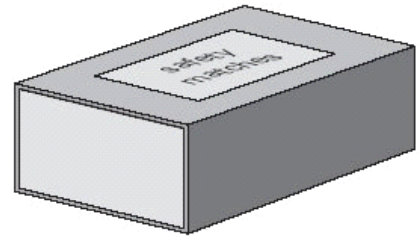


1. Lin has five blocks which are all the same.  
She balances them on the scale with two weights.  
Calculate the weight of **one** block.



Show your **working**.  
You may get a mark.

2. A box contains 220 matches and weighs 45 grams.  
The empty box weighs 12 grams.  
Calculate the weight of **one** match.



Show your **method**.  
You may get a mark.

g

3. Every **100g** of brown bread contains **6g** of fibre.  
A loaf of bread weighs **800g** and has **20** equal slices.  
How much fibre is there in **one** slice?



 Show your **method**. You may get a mark. 

g

4. A packet contains **1.5 kilograms** of guinea pig food.  
Remi feeds her guinea pig **30 grams** of food each day.



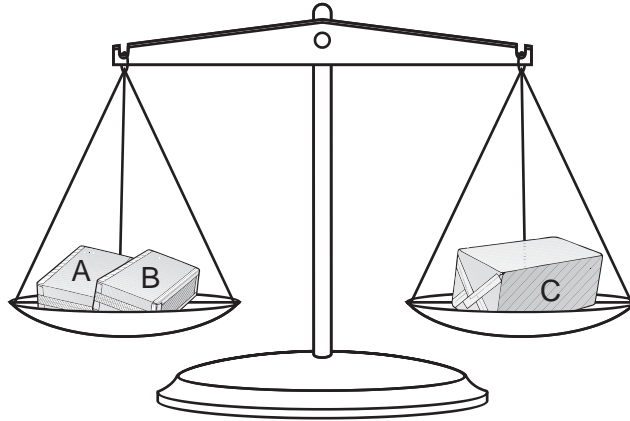
How many days does the packet of food last?

 Show your **method**. You may get a mark. 

days

5. Amir has three parcels.

Parcels A and B together weigh the same as parcel C.



The three parcels weigh 800 grams altogether.

Parcel A weighs 250g.

How much does parcel B weigh?



Show  
your **working**.  
You may get  
a mark.